

Key-operated switch, maintained, with 4-pole M12 connector



General Data

Type reference	SVASSA150I_C008
Description	Key switch with integrated contact block and 4-pole M12 connector, maintained
Approvals	CE, cURus, ENEC10, VDE, UKCA
Contact type	1 NC + 1 NO
Degree of protection	IP65 (in the front); IP65 / IP67 (on the rear with plugged-in M12 connector)
Connection type	4-pole M12 connector (integrated), A coded
Contact material	AgNi
Max. storage temperature	-40°C ... 80°C
Max. operating temperature	-25°C ... 70°C
Mechanical life	30,000 switching cycles
Electrical life (rated load)	30,000 switching cycles at rated load
Contact resistance NO	< 50 mOhm (new state)
Contact resistance NC	< 50 mOhm (new state)
Bouncing time NO	< 10ms
Bouncing time NC	< 10ms
Positive opening contact	acc. to EN60947-5-1, appendix K

Electrical data acc. to IEC/EN 60947-5-1 (VDE 0660 Sect. 200)

	alternate current	direct current
Utilisation category	AC15	DC13
Rated insulation voltage Ui	50 V	50 V
Rated operating voltage Ue	35 V	35 V
Rated operating current Ie	1 A	1 A
Breaking capacity	-	-
Continuous thermal current	1 A	-

Additional data

Mounting aperture	22.3 mm
-------------------	---------



Tightening torque (mounting nut)	1.5 ... 1.9 Nm
Tightening torque (M12-connector)	max. 0.4 Nm
Mounting position	any
Standards	EN 60947-5-1, EN 61058-1
Material group	I
Overvoltage category	II
Pollution degree	2

Note

O = NC contact; I = NO contact

- stainless steel front ring

Pin assignment:

Pin 1 Pin 2 Pin 3 Pin 4 Type
COM NC n.c. NO 1 NC 1 NO

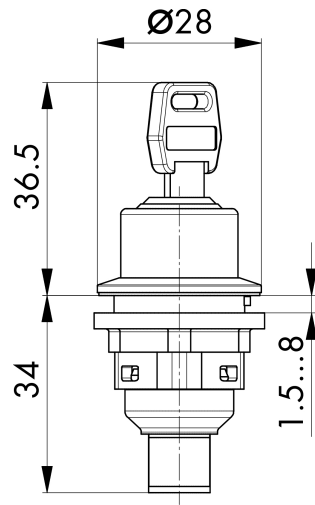
Safety instructions / mounting instructions

- the connector must not be connected or disconnected under load

Test data acc. to UL60947-5-1 / C22.2 No. 60947-5-1

Rating 24 V DC 1 A general purpose





PIN 1 / PIN 2
 PIN 1 / PIN 4
 PIN 3 n.C.

